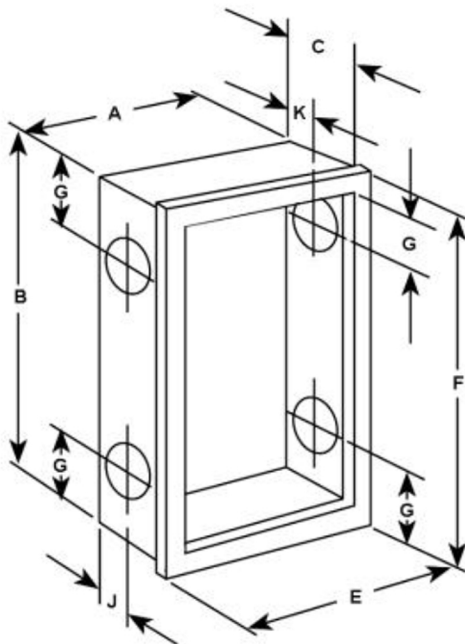
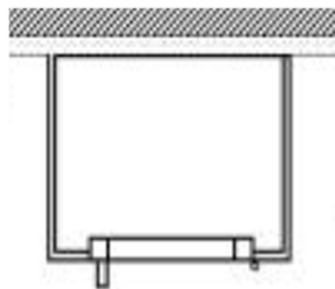


## SURFACE MOUNT ALUMINUM SUBMITTAL : DIMENSIONS

DOOR SERIES #	Tub I.D.			Frame O.D.		Wall Opening			Knockout Locations		
	A	B	C	E	F	W	H	D	J	G	H
6023	27 3/16	33 3/16	6 1/2	27 3/8	33 3/8	--	--	--	Upon Request		
6123	27 3/16	33 3/16	8 1/2	27 3/8	33 3/8	--	--	--	Upon Request		
6223	27 3/16	37 15/16	6 1/2	27 3/8	38 1/8	--	--	--	Upon Request		
6423	27 3/16	37 15/16	8 1/2	27 3/8	38 1/8	--	--	--	Upon Request		
6623	27 3/16	41 15/16	8 1/2	27 3/8	42 1/8	--	--	--	Upon Request		
6323	33 3/16	33 3/16	8 1/2	33 3/8	33 3/8	--	--	--	Upon Request		
6523	35 15/16	37 15/16	8 1/2	36 1/8	38 1/8	--	--	--	Upon Request		
7223	35 15/16	41 15/16	8 1/2	36 1/8	42 1/8	--	--	--	Upon Request		



### Top View



Square Trim Standard on  
Steel and Alum.

Knockout provided on surface mounted cabinets by request